

## QUADRUPLE OPERATIONAL AMPLIFIER

### FEATURES

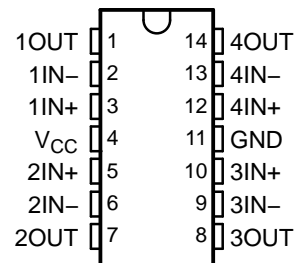
- **Controlled Baseline**
  - One Assembly/Test Site, One Fabrication Site
- **Extended Temperature Performance of -55°C to 125°C**
- **Enhanced Diminishing Manufacturing Sources (DMS) Support**
- **Enhanced Product-Change Notification**
- **Qualification Pedigree**

(1) Component qualification in accordance with JEDEC and industry standards to ensure reliable operation over an extended temperature range. This includes, but is not limited to, Highly Accelerated Stress Test (HAST) or biased 85/85, temperature cycle, autoclave or unbiased HAST, electromigration, bond intermetallic life, and mold compound life. Such qualification testing should not be viewed as justifying use of this component beyond specified performance and environmental limits.

- **ESD Protection <500 V Per MIL-STD-883, Method 3015; Exceeds 200 V Using Machine Model C = 200 pF, R = 0); 1500 V Using Charged Device Model**
- **ESD Human Body Model >2 kV Machine Model >200 V and Charge Device Model = 2 kV For K-Suffix Devices.**
- **Low Supply-Current Drain Independent of Supply Voltage . . . 0.8 mA Typ**
- **Low Input Bias and Offset Parameters:**
  - Input Offset Voltage . . . 3 mV Typ
  - Input Offset Current . . . 2 nA Typ
  - Input Bias Current . . . 20 nA Typ

- **Common-Mode Input Voltage Range Includes Ground, Allowing Direct Sensing Near Ground**
- **Differential Input Voltage Range Equal to Maximum-Rated Supply Voltage:**
  - Non-V devices . . . 26 V
  - V-Suffix devices . . . 32 V
- **V-Suffix devices . . . 32 V D Open-Loop Differential Voltage Amplification . . . 100 V/mV Typ**
- **Internal Frequency Compensation**

**D OR PW PACKAGE  
(TOP VIEW)**



### DESCRIPTION

This device consists of four independent high-gain frequency-compensated operational amplifiers that are designed specifically to operate from a single supply over a wide range of voltages. Operation from split supplies is possible when the difference between the two supplies is 3 V to 26 V (3 V to 32 V for V-suffixed devices) and V<sub>CC</sub> is at least 1.5 V more positive than the input common-mode voltage. The low supply-current drain is independent of the magnitude of the supply voltage.

Applications include transducer amplifiers, dc amplification blocks, and all the conventional operational-amplifier circuits that now can be more easily implemented in single-supply voltage systems. For example, the LM2902 can be operated directly from the standard 5-V supply that is used in digital systems and easily provides the required interface electronics without requiring additional ±15-V supplies.



Please be aware that an important notice concerning availability, standard warranty, and use in critical applications of Texas Instruments semiconductor products and disclaimers thereto appears at the end of this data sheet.

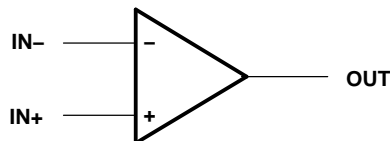
**ORDERING INFORMATION**

T <sub>A</sub>	V <sub>IO</sub> max AT 25°C	MAX V <sub>CC</sub>	PACKAGE <sup>(1)</sup>		ORDERABLE PART NUMBER	TOP-SIDE MARKING
–40°C to 125°C	7 mV	26 V	SOIC (D)	Reel of 2500	LM2902QDREP <sup>(2)</sup>	2902EP
			TSSOP(PW)	Reel of 2500	LM2902QPWREP <sup>(2)</sup>	2902EP
	7 mV	32 V	SOIC (D)	Reel of 2500	LM2902KVQDREP <sup>(2)</sup>	2902KVE
			TSSOP(PW)	Reel of 2500	LM2902KVQPWREP <sup>(2)</sup>	2902KVE
	3 mV	32 V	SOIC (D)	Reel of 2500	LM2902KAVQDREP <sup>(2)</sup>	LM2902E
			TSSOP(PW)	Reel of 2500	LM2902KAVQPWREP	LM2902E
–55°C to 125°C	7 mV	26 V	SOIC (D)	Reel of 2500	LM2902MDREP <sup>(2)</sup>	2902ME
			TSSOP(PW)	Reel of 2000	LM2902MPWREP <sup>(2)</sup>	2902ME
	7 mV	32 V	SOIC (D)	Reel of 2500	LM2902KVMDREP <sup>(2)</sup>	2902KME
			TSSOP(PW)	Reel of 2000	LM2902KVMPWREP <sup>(2)</sup>	2902KME
	3 mV	32 V	SOIC (D)	Reel of 2500	LM2902KAVMDREP <sup>(2)</sup>	2902KAE
			TSSOP(PW)	Reel of 2000	LM2902KAVMPWREP <sup>(2)</sup>	2902KAE

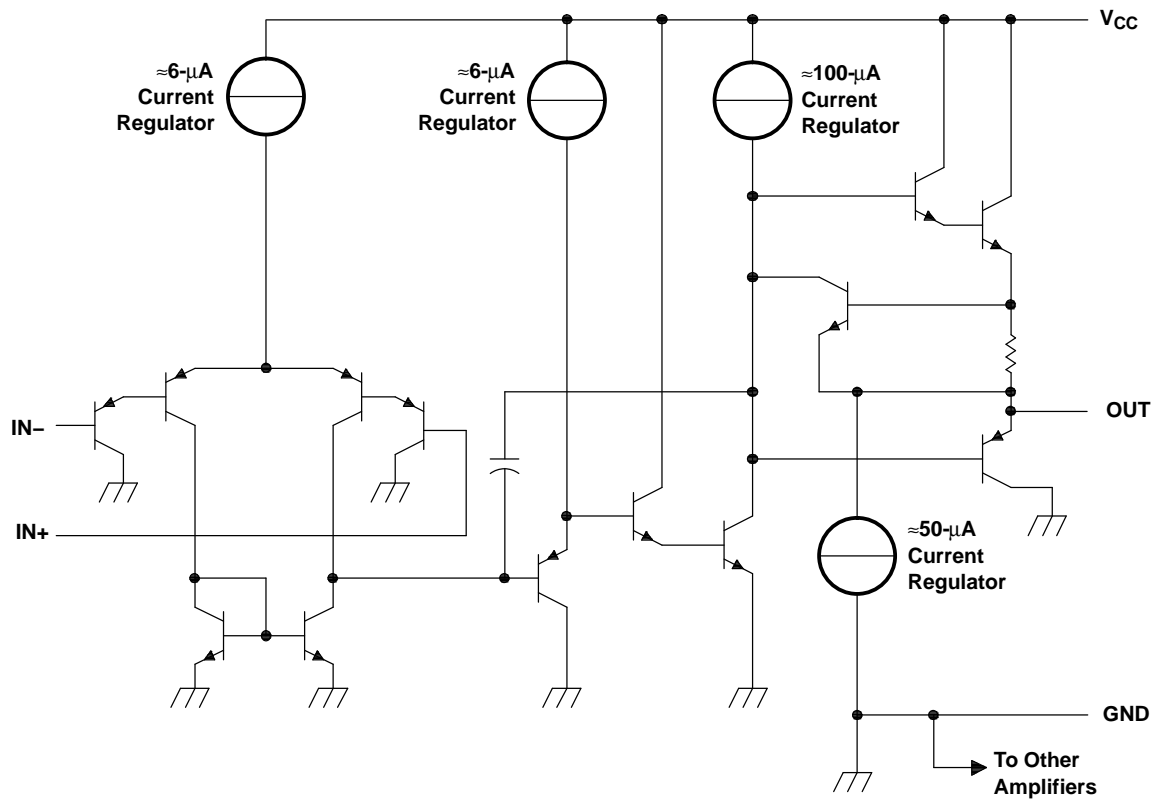
(1) Package drawings, standard packing quantities, thermal data, symbolization, and PCB design guidelines are available at [www.ti.com/sc/package](http://www.ti.com/sc/package).

(2) Product Preview

**SYMBOL (EACH AMPLIFIER)**



**SCHEMATIC (EACH AMPLIFIER)**



COMPONENT COUNT (TOTAL DEVICE)	
Epi-FET	1
Transistors	95
Diodes	4
Resistors	11
Capacitors	4

## ABSOLUTE MAXIMUM RATINGS

over operating free-air temperature range (unless otherwise noted)<sup>(1)</sup>

		LM2902-EP	LM2902KV-EP	UNIT
$V_{CC}$	Supply voltage <sup>(2)</sup>	26	32	V
$V_{ID}$	Differential input voltage <sup>(3)</sup>	$\pm 26$	$\pm 32$	V
$V_I$	Input voltage (either input)	–0.3 to 26	–0.3 to 32	V
	Duration of output short circuit (one amplifier) to ground at (or below) $T_A = 25^\circ\text{C}$ , $V_{CC} \leq 15\text{ V}$ <sup>(4)</sup>	Unlimited	Unlimited	
$\theta_{JA}$	Package thermal impedance <sup>(5)(6)</sup>	D package (0 LFPM)	101	$^\circ\text{C/W}$
		PW package	113	
$T_J$	Operating virtual junction temperature	142	142	$^\circ\text{C}$
$T_{stg}$	Storage temperature range <sup>(7)</sup>	–65 to 150	–65 to 150	$^\circ\text{C}$

- (1) Stresses beyond those listed under *absolute maximum ratings* may cause permanent damage to the device. These are stress ratings only, and functional operation of the device at these or any other conditions beyond those indicated under *recommended operating conditions* is not implied. Exposure to absolute-maximum-rated conditions for extended periods may affect device reliability.
- (2) All voltage values, except differential voltages and  $V_{CC}$  specified for the measurement of  $I_{OS}$ , are with respect to the network GND.
- (3) Differential voltages are at IN+ with respect to IN–.
- (4) Short circuits from outputs to  $V_{CC}$  can cause excessive heating and eventual destruction.
- (5) Maximum power dissipation is a function of  $T_J(\text{max})$ ,  $\theta_{JA}$ , and  $T_A$ . The maximum allowable power dissipation at any allowable ambient temperature is  $P_D = (T_J(\text{max}) - T_A)/\theta_{JA}$ . Operating at the absolute maximum  $T_J$  of  $142^\circ\text{C}$  can affect reliability.
- (6) The package thermal impedance is calculated in accordance with JESD 51-7.
- (7) Long term high-temperature storage and/or extended use at maximum recommended operating conditions may result in reduction of overall device life. See [http://www.ti.com/ep\\_quality](http://www.ti.com/ep_quality) for additional information on enhanced plastic packaging.

## ELECTRICAL CHARACTERISTICS

at specified free-air temperature,  $V_{CC} = 5\text{ V}$  (unless otherwise noted)

PARAMETER	TEST CONDITIONS <sup>(1)</sup>	$T_A$ <sup>(2)</sup>	LM2902-EP			UNIT
			MIN	TYP <sup>(3)</sup>	MAX	
$V_{IO}$ Input offset voltage	$V_{CC} = 5\text{ V to }26\text{ V}$ , $V_{IC} = V_{ICRmin}$ , $V_O = 1.4\text{ V}$	25°C		3	7	mV
		Full range			10	
$I_{IO}$ Input offset current	$V_O = 1.4\text{ V}$	25°C		2	50	nA
		Full range			300	
$I_{IB}$ Input bias current	$V_O = 1.4\text{ V}$	25°C		-20	-250	nA
		Full range			-500	
$V_{ICR}$ Common-mode input voltage range	$V_{CC} = 5\text{ V to }26\text{ V}$	25°C		0 to $V_{CC}-1.5$		V
		Full range		0 to $V_{CC}-2$		
$V_{OH}$ High-level output voltage	$R_L = 10\text{ k}\Omega$	25°C		$V_{CC}-1.5$		V
	$V_{CC} = 26\text{ V}$ , $R_L = 2\text{ k}\Omega$	Full range		22		
	$V_{CC} = 26\text{ V}$ , $R_L \geq 10\text{ k}\Omega$	25°C		23	24	
$V_{OL}$ Low-level output voltage	$R_L \leq 10\text{ k}\Omega$	Full range		5	20	mV
$A_{VD}$ Large-signal differential voltage amplification	$V_{CC} = 15\text{ V}$ , $V_O = 1\text{ V to }11\text{ V}$ , $R_L \geq 2\text{ k}\Omega$	25°C		100		V/mV
		Full range		15		
CMRR Common-mode rejection ratio	$V_{IC} = V_{ICRmin}$	25°C		50	80	dB
$k_{SVR}$ Supply-voltage rejection ratio ( $\Delta V_{CC}/\Delta V_{IO}$ )		25°C		50	100	dB
$V_{O1}/V_{O2}$ Crosstalk attenuation	$f = 1\text{ kHz to }20\text{ kHz}$	25°C		120		dB
$I_O$ Output current	$V_{CC} = 15\text{ V}$ , $V_{ID} = 1\text{ V}$ , $V_O = 0$	25°C		-20	-30	mA
		Full range		-10		
	$V_{CC} = 15\text{ V}$ , $V_{ID} = -1\text{ V}$ , $V_O = 15\text{ V}$	25°C		10	20	mA
		Full range		5		
$I_{OS}$ Short-circuit output current	$V_{CC}$ at 5 V, $V_O = 0$ , GND at -5 V	25°C		$\pm 40$	$\pm 60$	mA
		Full range		0.7	1.2	
$I_{CC}$ Supply current (four amplifiers)	$V_O = 2.5\text{ V}$ , No load	Full range		1.4	3	mA
	$V_{CC} = 26\text{ V}$ , $V_O = 0.5 V_{CC}$ , No load	Full range				

(1) All characteristics are measured under open-loop conditions, with zero common-mode input voltage, unless otherwise specified.

(2) Full range is -55°C to 125°C.

(3) All typical values are at  $T_A = 25^\circ\text{C}$ .

**ELECTRICAL CHARACTERISTICS**at specified free-air temperature,  $V_{CC} = 5\text{ V}$  (unless otherwise noted)

PARAMETER	TEST CONDITIONS <sup>(1)</sup>		$T_A$ <sup>(2)</sup>	LM2902KV-EP			UNIT
				MIN	TYP <sup>(3)</sup>	MAX	
$V_{IO}$ Input offset voltage	$V_{CC} = 5\text{ V to }32\text{ V}$ , $V_{IC} = V_{ICR\text{min}}$ , $V_O = 1.4\text{ V}$	Non-A devices	25°C	3	7	mV	
			Full range		10		
		A-suffix devices	25°C	1	3		
			Full range		4.5		
$\Delta V_{IO}/\Delta T$ Temperature drift	$R_S = 0\ \Omega$	Full range		7		$\mu\text{V}/^\circ\text{C}$	
$I_{IO}$ Input offset current	$V_O = 1.4\text{ V}$		25°C	2	50	nA	
			Full range		150		
$\Delta V_{IO}/\Delta T$ Temperature drift		Full range		10		$\text{pA}/^\circ\text{C}$	
$I_{IB}$ Input bias current	$V_O = 1.4\text{ V}$		25°C	-20	-250	nA	
			Full range		-500		
$V_{ICR}$ Common-mode input voltage range	$V_{CC} = 5\text{ V to }32\text{ V}$		25°C	0 to $V_{CC} - 1.5$		V	
			Full range	0 to $V_{CC} - 2$			
$V_{OH}$ High-level output voltage	$R_L = 10\text{ k}\Omega$ $V_{CC} = 32\text{ V}$ , $R_L = 2\text{ k}\Omega$ $V_{CC} = 32\text{ V}$ , $R_L \geq 10\text{ k}\Omega$		25°C	$V_{CC} - 1.5$		V	
			Full range	26			
			Full range	27			
$V_{OL}$ Low-level output voltage	$R_L = 10\text{ k}\Omega$	Full range		5	20	mV	
$A_{VD}$ Large-signal differential voltage amplification	$V_{CC} = 15\text{ V}$ , $V_O = 1\text{ V to }11\text{ V}$ , $R_L \geq 2\text{ k}\Omega$		25°C	25	100	V/mV	
			Full range	15			
	Amplifier-to-amplifier coupling <sup>(4)</sup>	$f = 1\text{ kHz to }20\text{ kHz}$ , input referred	25°C		120	dB	
CMRR Common-mode rejection ratio	$V_{IC} = V_{ICR\text{min}}$		25°C	60	80	dB	
$k_{SVR}$ Supply-voltage rejection ratio ( $\Delta V_{CC}/\Delta V_{IO}$ )			25°C	60	100	dB	
$V_{O1}/V_{O2}$ Crosstalk attenuation		$f = 1\text{ kHz to }20\text{ kHz}$	25°C		120	dB	
$I_O$ Output current	$V_{CC} = 15\text{ V}$ , $V_{ID} = 1\text{ V}$ , $V_O = 0$		25°C	-20	-30	mA	
			Full range	-10			
	$V_{CC} = 15\text{ V}$ , $V_{ID} = -1\text{ V}$ , $V_O = 15\text{ V}$		25°C	10	20	mA	
			Full range	5			
	$V_{ID} = -1\text{ V}$ , $V_O = 200\text{ mV}$		25°C	12	40	$\mu\text{A}$	
$I_{OS}$ Short-circuit output current	$V_{CC}$ at 5 V, GND at -5 V	$V_O = 0$ ,	25°C		$\pm 40$ $\pm 60$	mA	
$I_{CC}$ Supply current (four amplifiers)	$V_O = 2.5\text{ V}$ , $V_{CC} = 32\text{ V}$ , $V_O = 0.5 V_{CC}$	No load	Full range	0.7	1.2	mA	
		No load	Full range	1.4	3		

(1) All characteristics are measured under open-loop conditions, with zero common-mode input voltage, unless otherwise specified.

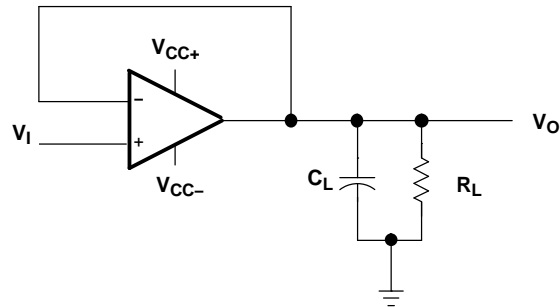
(2) Full range is  $-55^\circ\text{C}$  to  $125^\circ\text{C}$ .(3) All typical values are at  $T_A = 25^\circ\text{C}$ .

(4) Due to proximity of external components, ensure that coupling is not originating via stray capacitance between these external parts. Typically, this can be detected, as this type of coupling increases at higher frequencies.

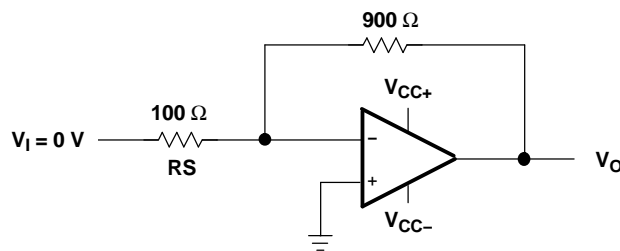
**OPERATING CONDITIONS**

$V_{CC} = \pm 15\text{ V}$ ,  $T_A = 25^\circ\text{C}$

PARAMETER	TEST CONDITIONS	TYP	UNIT
SR Slew rate at unity gain	$R_L = 1\text{ M}\Omega$ , $C_L = 30\text{ pF}$ , $V_I = \pm 10\text{ V}$ (see Figure 1)	0.5	$\text{V}/\mu\text{s}$
$B_1$ Unity-gain bandwidth	$R_L = 1\text{ M}\Omega$ , $C_L = 20\text{ pF}$ (see Figure 1)	1.2	MHz
$V_n$ Equivalent input noise voltage	$R_S = 100\ \Omega$ , $V_I = 0\text{ V}$ , $f = 1\text{ kHz}$ (see Figure 2)	35	$\text{nV}/\sqrt{\text{Hz}}$



**Figure 1. Unity-Gain Amplifier**



**Figure 2. Noise-Test Circuit**

**TAPE AND REEL INFORMATION**



**QUADRANT ASSIGNMENTS FOR PIN 1 ORIENTATION IN TAPE**



\*All dimensions are nominal

Device	Package Type	Package Drawing	Pins	SPQ	Reel Diameter (mm)	Reel Width W1 (mm)	A0 (mm)	B0 (mm)	K0 (mm)	P1 (mm)	W (mm)	Pin1 Quadrant
LM2902KAVMPWREP	TSSOP	PW	14	2000	330.0	12.4	7.0	5.6	1.6	8.0	12.0	Q1
LM2902KAVQPWREP	TSSOP	PW	14	2000	330.0	12.4	7.0	5.6	1.6	8.0	12.0	Q1



**TAPE AND REEL BOX DIMENSIONS**



\*All dimensions are nominal

Device	Package Type	Package Drawing	Pins	SPQ	Length (mm)	Width (mm)	Height (mm)
LM2902KAVMPWREP	TSSOP	PW	14	2000	346.0	346.0	29.0
LM2902KAVQPWREP	TSSOP	PW	14	2000	346.0	346.0	29.0

PW (R-PDSO-G\*\*)

PLASTIC SMALL-OUTLINE PACKAGE

14 PINS SHOWN



4040064/F 01/97

- NOTES: A. All linear dimensions are in millimeters.  
 B. This drawing is subject to change without notice.  
 C. Body dimensions do not include mold flash or protrusion not to exceed 0,15.  
 D. Falls within JEDEC MO-153

## IMPORTANT NOTICE

Texas Instruments Incorporated and its subsidiaries (TI) reserve the right to make corrections, modifications, enhancements, improvements, and other changes to its products and services at any time and to discontinue any product or service without notice. Customers should obtain the latest relevant information before placing orders and should verify that such information is current and complete. All products are sold subject to TI's terms and conditions of sale supplied at the time of order acknowledgment.

TI warrants performance of its hardware products to the specifications applicable at the time of sale in accordance with TI's standard warranty. Testing and other quality control techniques are used to the extent TI deems necessary to support this warranty. Except where mandated by government requirements, testing of all parameters of each product is not necessarily performed.

TI assumes no liability for applications assistance or customer product design. Customers are responsible for their products and applications using TI components. To minimize the risks associated with customer products and applications, customers should provide adequate design and operating safeguards.

TI does not warrant or represent that any license, either express or implied, is granted under any TI patent right, copyright, mask work right, or other TI intellectual property right relating to any combination, machine, or process in which TI products or services are used. Information published by TI regarding third-party products or services does not constitute a license from TI to use such products or services or a warranty or endorsement thereof. Use of such information may require a license from a third party under the patents or other intellectual property of the third party, or a license from TI under the patents or other intellectual property of TI.

Reproduction of TI information in TI data books or data sheets is permissible only if reproduction is without alteration and is accompanied by all associated warranties, conditions, limitations, and notices. Reproduction of this information with alteration is an unfair and deceptive business practice. TI is not responsible or liable for such altered documentation. Information of third parties may be subject to additional restrictions.

Resale of TI products or services with statements different from or beyond the parameters stated by TI for that product or service voids all express and any implied warranties for the associated TI product or service and is an unfair and deceptive business practice. TI is not responsible or liable for any such statements.

TI products are not authorized for use in safety-critical applications (such as life support) where a failure of the TI product would reasonably be expected to cause severe personal injury or death, unless officers of the parties have executed an agreement specifically governing such use. Buyers represent that they have all necessary expertise in the safety and regulatory ramifications of their applications, and acknowledge and agree that they are solely responsible for all legal, regulatory and safety-related requirements concerning their products and any use of TI products in such safety-critical applications, notwithstanding any applications-related information or support that may be provided by TI. Further, Buyers must fully indemnify TI and its representatives against any damages arising out of the use of TI products in such safety-critical applications.

TI products are neither designed nor intended for use in military/aerospace applications or environments unless the TI products are specifically designated by TI as military-grade or "enhanced plastic." Only products designated by TI as military-grade meet military specifications. Buyers acknowledge and agree that any such use of TI products which TI has not designated as military-grade is solely at the Buyer's risk, and that they are solely responsible for compliance with all legal and regulatory requirements in connection with such use.

TI products are neither designed nor intended for use in automotive applications or environments unless the specific TI products are designated by TI as compliant with ISO/TS 16949 requirements. Buyers acknowledge and agree that, if they use any non-designated products in automotive applications, TI will not be responsible for any failure to meet such requirements.

Following are URLs where you can obtain information on other Texas Instruments products and application solutions:

### Products

Amplifiers	<a href="http://amplifier.ti.com">amplifier.ti.com</a>
Data Converters	<a href="http://dataconverter.ti.com">dataconverter.ti.com</a>
DSP	<a href="http://dsp.ti.com">dsp.ti.com</a>
Clocks and Timers	<a href="http://www.ti.com/clocks">www.ti.com/clocks</a>
Interface	<a href="http://interface.ti.com">interface.ti.com</a>
Logic	<a href="http://logic.ti.com">logic.ti.com</a>
Power Mgmt	<a href="http://power.ti.com">power.ti.com</a>
Microcontrollers	<a href="http://microcontroller.ti.com">microcontroller.ti.com</a>
RFID	<a href="http://www.ti-rfid.com">www.ti-rfid.com</a>
RF/IF and ZigBee® Solutions	<a href="http://www.ti.com/lprf">www.ti.com/lprf</a>

### Applications

Audio	<a href="http://www.ti.com/audio">www.ti.com/audio</a>
Automotive	<a href="http://www.ti.com/automotive">www.ti.com/automotive</a>
Broadband	<a href="http://www.ti.com/broadband">www.ti.com/broadband</a>
Digital Control	<a href="http://www.ti.com/digitalcontrol">www.ti.com/digitalcontrol</a>
Medical	<a href="http://www.ti.com/medical">www.ti.com/medical</a>
Military	<a href="http://www.ti.com/military">www.ti.com/military</a>
Optical Networking	<a href="http://www.ti.com/opticalnetwork">www.ti.com/opticalnetwork</a>
Security	<a href="http://www.ti.com/security">www.ti.com/security</a>
Telephony	<a href="http://www.ti.com/telephony">www.ti.com/telephony</a>
Video & Imaging	<a href="http://www.ti.com/video">www.ti.com/video</a>
Wireless	<a href="http://www.ti.com/wireless">www.ti.com/wireless</a>

Mailing Address: Texas Instruments, Post Office Box 655303, Dallas, Texas 75265  
Copyright © 2008, Texas Instruments Incorporated